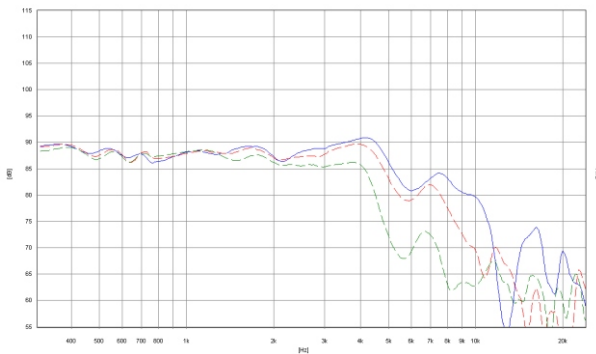
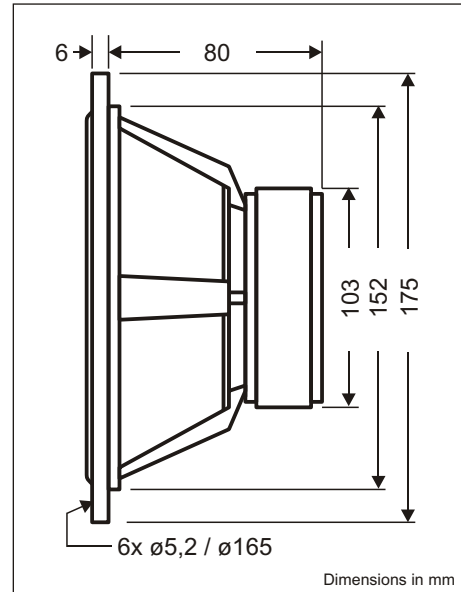


Symphony

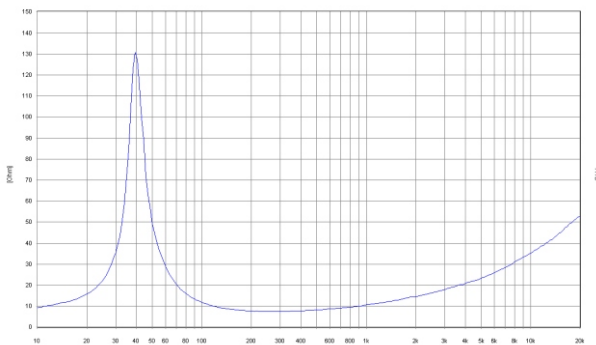
Ein 160er Tief-Mitteltöner mit Phase-Plug und Kapton-Spulenträger, wurde für höchste Ansprüche entwickelt.

Eine dreischichtige Hexacone-Sandwich-Membrane bekannt für ihre hervorragenden akustischen Eigenschaften ist die beste Voraussetzung für eine authentische Musikwiedergabe.

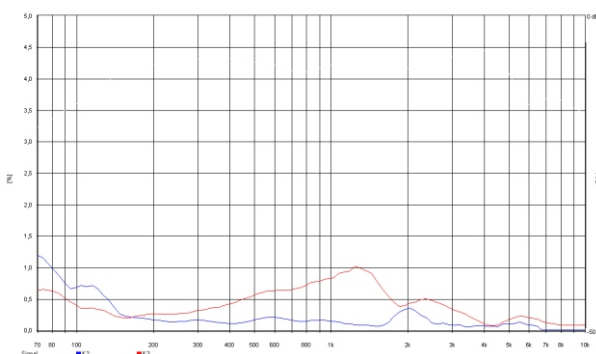
Advanced high end 7-inch lower midrange driver with phase plug and capton voice coil former. A special phase plug construction reduces compression inside the system and is responsible for a free and open reproduction. For the hexacone sandwich diaphragm a three-layer sandwich cone is used for extra rigidity and small weight. It impresses by a totally realistic sound reproduction.



The frequency responses measured free field sound pressure in 0, 15 30 degrees angle using endless baffle. Input 2,83 VRMS, microphone distance 1 m



Impedance is measured free air without baffle.



Distortion 1 Watt.

Nominal impedance	Z_n	8	
DC resistance	R_e	6.6	
Resonance frequency 1W	f_r	34	Hz
Resonance frequency TS-parameter-meas.	f_r	41	Hz
Suspension compliance	C_{MS}	1.02	mm/N
Mechanical Q	Q_{MS}	5.68	
Electrical Q	Q_{ES}	0.32	
Total Q	Q_{TS}	0.29	
Mechanical resistance	R_{MS}	0.67	kg/s
Total moving mass (including air mass)	M_{MD}	15.51	g
Effective piston area	S_D	137	cm ²
Voice coil diameter		32	mm
Voice coil former		Kapton	
Voice coil length		17	mm
Voice coil layers		1	
Voice coil inductance	L_e	0.88	mH
Flux density	B	1.0	Tesla
Force factor	$B_L \times l$	9.11	Tm
Height of the gap		8	mm
Diameter of magnet		102	mm
Height of magnet		22	mm
Weight of speaker		1.9	kg
Characteristic SPL 1 Watt / 1 m		89	dB SPL
Rated power		80	W
Equivalent air vol. of suspension	V_{AS}	41.4	dm ³
ETON reserves the right to change technical data			07/20